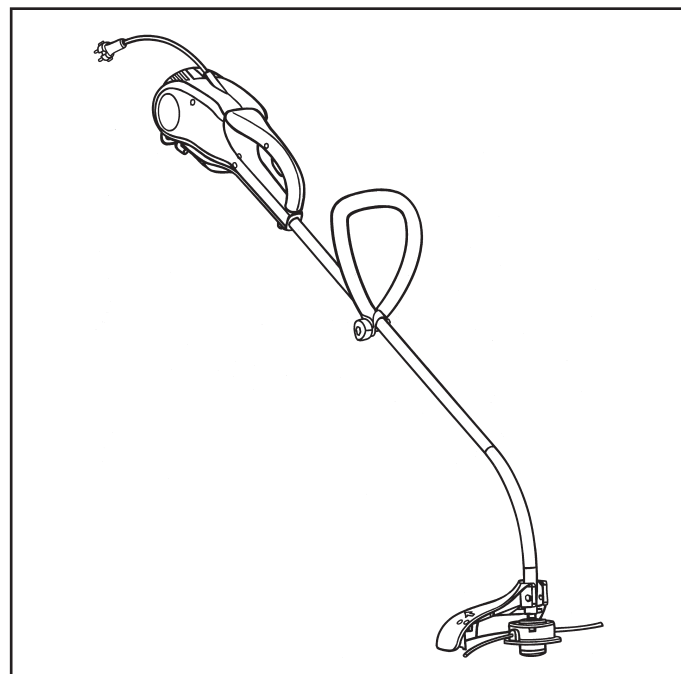




ILLUSTRATED PARTS LIST

REX 900 MAXI TRIM 900

SERIAL NUMBER PREFIX - 01



January 2002

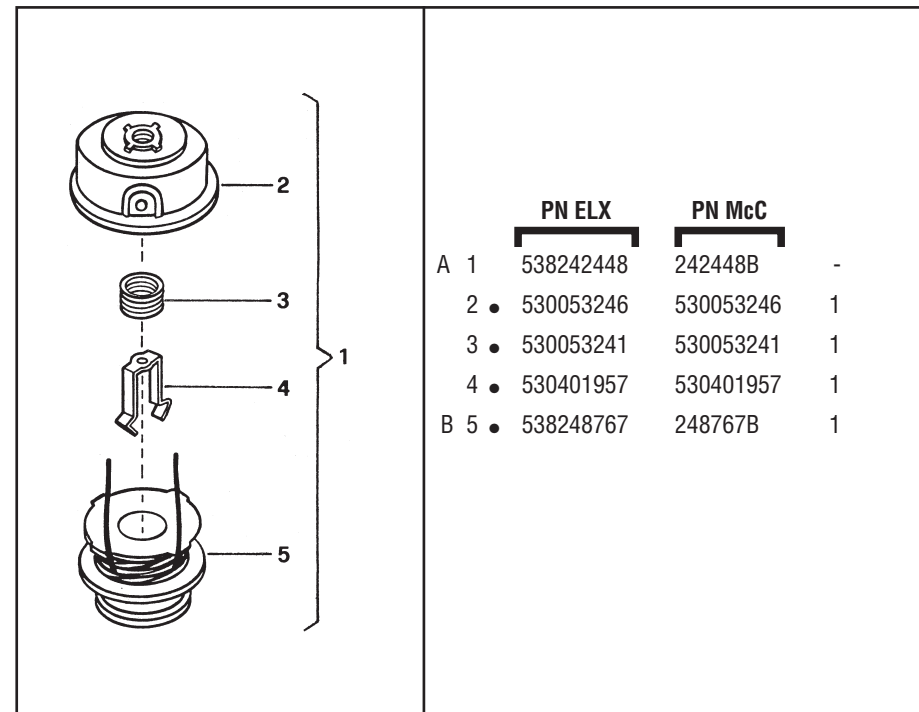


FIGURE 2

A = high moving - alta rotazione - haute demande - große Nachfrage
 B = medium moving - media rotazione - moyenne demande - mittelmäßige Nachfrage
 C = slow moving - bassa rotazione - basse demande - wenige Nachfrage

	PN ELX	PN McC		
B 1	538242137	242137	Black	1
B 1	538242389	242389	Grey	1
2	• 538236381	236381		M5x10 2
3	• 538235248	235248		2
4	• 538241973	241973		1
5	• 538235642	235642		2
6	• 538235921	235921		M6x30 1
7	• 538242061	242061		1
8	• 538235912	235912		1
A 9	FIGURE 2	FIGURE 2		
C 10	538248574	248574	Black	1
C 10	538248725	248725	Grey	1
11	• 538240128	240128		M6x50 1
B 12	• 538242147	242147	Black	1
B 12	• 538242388	242388	Grey	1
12A	• 538235912	235912		1
13	538242000	242000		1
14	• 538242002	242002		1
15	• 538241745	241745		2
C 16	538242082	242082		1
C 17	538242022	242022		1
C 18	• 538048956	00248956		2
19	• 538242060	242060		1
C 20	• 538242012	242012		1
21	538242010	242010		1
22	538242009	242009		1
23	538242008	242008	Yellow	1
23	538242149	242149	Orange	1
24	538242007	242007	Yellow	1
24	538242148	242148	Orange	1
25	538240862	240862		8
26	538242081	242081		1
27	• 538241051	241051		1
28	538242080	242080		1
C 29	538241576	241576		1
30	538242011	242011	Black	1
30	538242386	242386	Grey	1
31	538240862	240862		2
32	538241052	241052		1

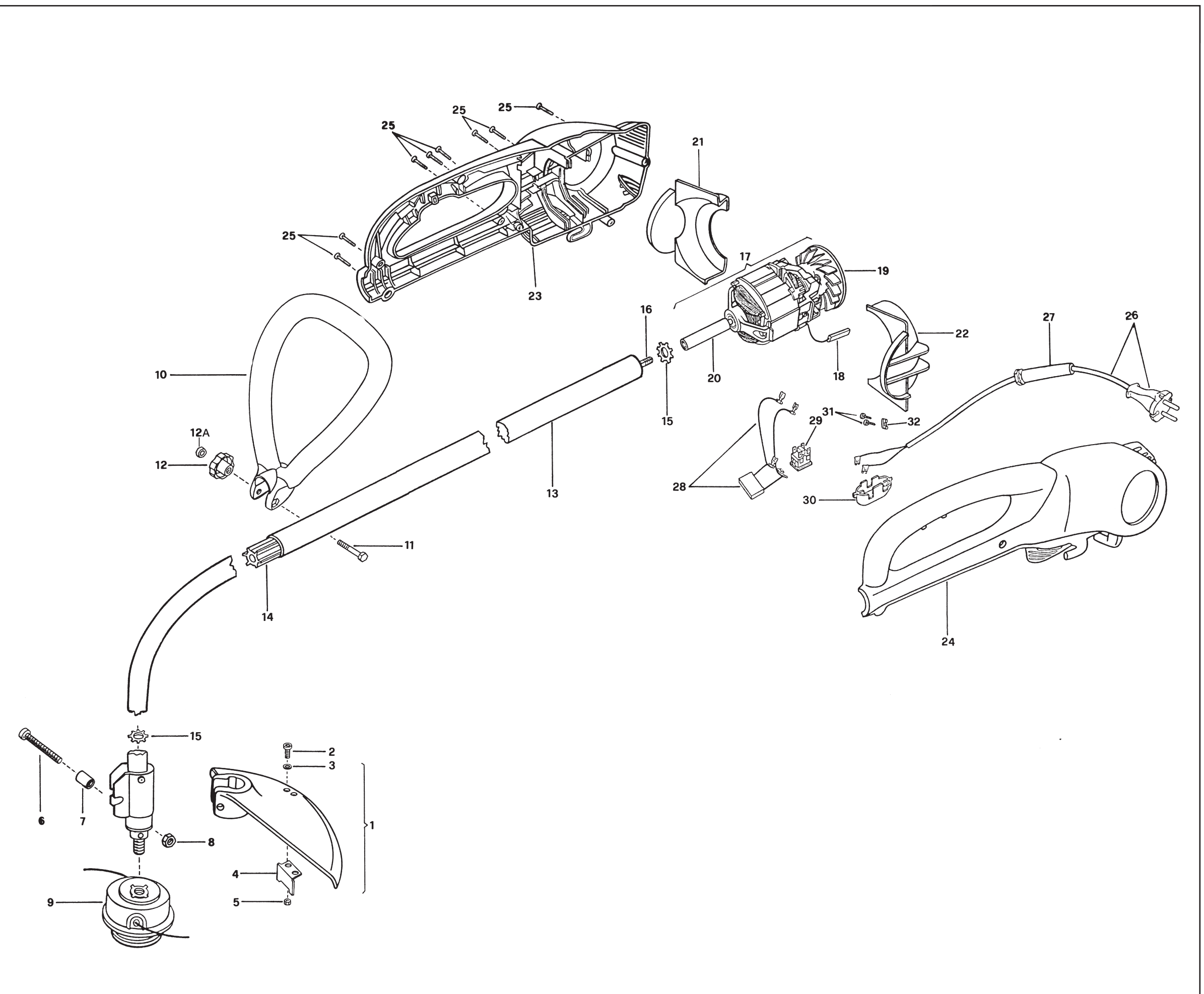


FIGURE 1

A = high moving - alta rotazione - haute demande - große Nachfrage
 B = medium moving - media rotazione - moyenne demande - mittelmäßige Nachfrage
 C = slow moving - bassa rotazione - basse demande - wenige Nachfrage